

**Manufacturer
of India's largest
selling FHP Motor**

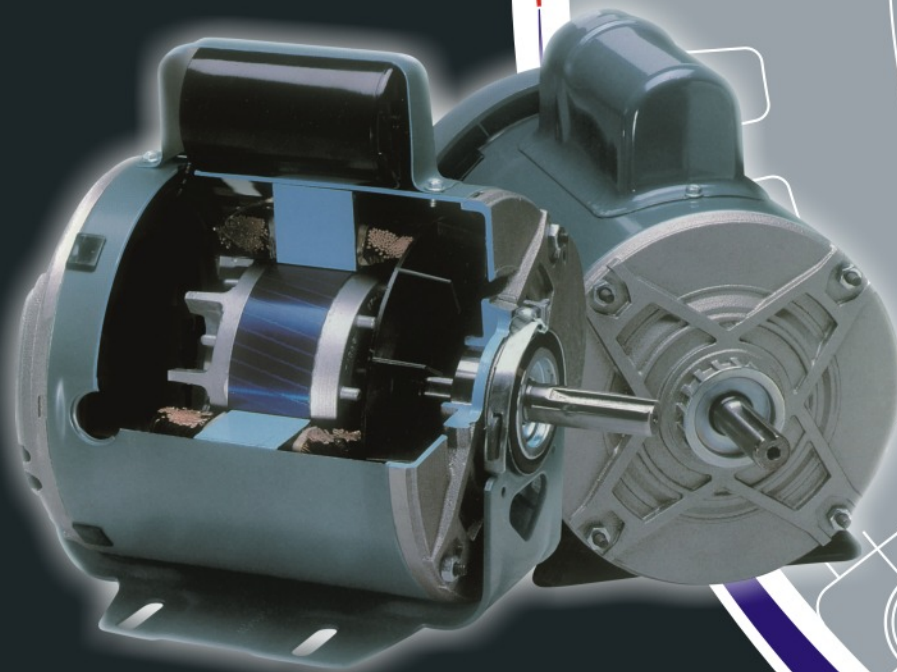
presents the

New Fr 56

At the heart of what drives your world

Regal Beloit, a leading manufacturer of electrical and mechanical motion control products, with presence in India through Marathon Electric India Pvt. Ltd., has been over the years acknowledged for its superior technology products worldwide. A fact which is very evident in its offering of Marathon Electric General Purpose Motors, having a wide range of both industrial and domestic applications.

Continuing the tradition of superior technology, Regal Beloit now presents **The New Fr 56** a range of Marathon Electric General Purpose Motors, with improved Performance, Reliability and Serviceability.



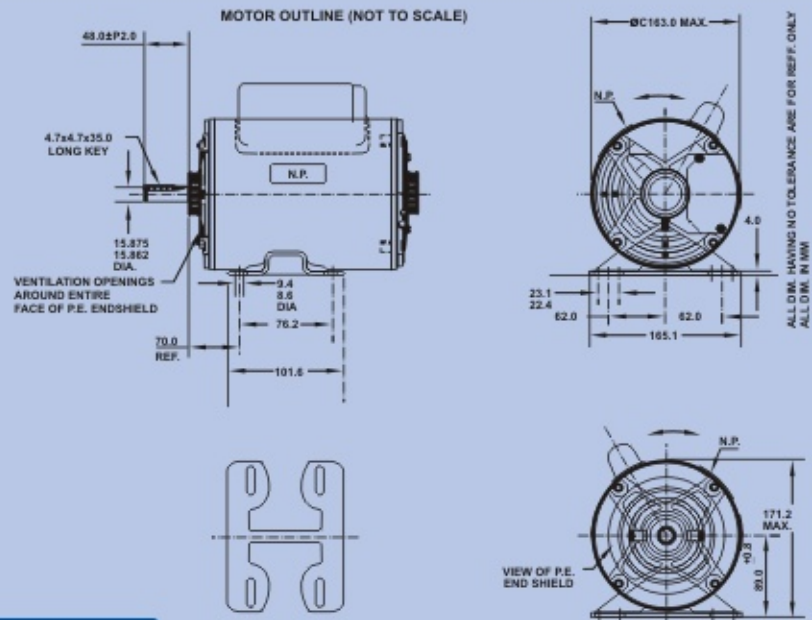
Excellence through Precision Engineering

- Mounting Std./Special
- Meets IS Performance Standards
- US Designed Switch for Reliability
- Suitable for 160 V to 230 V Operation; 50/60 Hz
- DP, DPFC, TEFC Enclosures
- Built-in Thermal Over Load Protector
- Energy Efficient
- CSIR / CSCR Models

Product Profile

APL	HP	BEARING	ENCLOSURE	TYPE	RPM	FLA	FLT (Kg-cm)	POT (Kg-cm)
NF 299 A	1/4	BB	DP	P S C	1275	2.6	14	19
NF 266	1/4	BB	DP	C S I R	1440	3	12.5	32
NF 269	1/4	BB	DP	C S I R	1440	3	12.5	42
NF 116	1/3	BB	DP	C S I R	1440	3	16.7	34
NF 277	1/2	BB	TEFC	C S I R	1440	3.5	25	55
NF 271	1/2	BB	DP	C S I R	1440	4.5	25	60
NF 268	1/2	BB	DP	C S I R	1440	4.5	25	66
NF 114	1/2	BB	DP	C S I R	1440	4.5	25	66
NF 264	1	BB	DP	C S C R	1440	6.5	50	97
NF 115	1	BB	DP	C S I R	1440	7.5	50	100
NF 276	1	BB	TEFC	C S C R	1440	5.8	50	105
NF 292	1	BB	DP	C S C R	1440	6.8	50	115
NF 301	1 1/2	BB	TEFC	C S C R	1440	6.5	75	142
NF 305	2	BB	TEFC	C S C R	1440	11	100	190

Dimensions: (FR-56)



Motorises all these applications...& more

- Domestic Pumps
- Floor Polishers
- Industrial Sewing Machines
- Washing Machines
- Pollution Control Equipment
- Atta Chakkis/Gharghanti
- Soil Testing Equipment
- Commercial Juicers
- Surgical/Vaccum Pumps
- Blowers
- Compressors
- Pouch-making M/C's
- Packaged Air-conditioners
- Paint Mixing M/C's
- Lawn Mower
- Wet Rice Grinders
- Buffing & Polishing M/C's
- Diamond Polishers
- Agricultural Implements
- Evap Desert Coolers
- Grinding & Drill M/C's
- Stone Cutting M/C's

The product in this leaflet represent only a part of our entire range in Frame 56. Due to continuous improvements in design, the specifications are subject to change without notice. Kindly inquire for customised motors.

Authorised Dealer/Distributor



Marathon Electric India Pvt. Ltd.

Sec.-11 Model Town, Faridabad-121006
Tel: 0129-2286421/2265340 Fax: 0129-2284855
e mail: MarathonFbd.sales@marathonelectric.com



Marathon Electric India Pvt. Ltd., Regional Offices: **Delhi:** Flat No. 516-518, 5th Floor, Antriksh Bhawan, 22 K.G. Marg New Delhi -01 Tel: 9873184209. **Ahmedabad:** 406, Vedant Complex, 7, Kalpana Colony, Off. C.G. Road, Navrangpura, Ahmedabad-380009, Tel: 079-26561819, 9825611502. Fax: 079-26560452. **Chennai:** 6, (old no 37) Arcot Road, Vadapalani, Chennai - 600092, Tel: 044-42136697, 42333353, 9840429331, Fax: 044-42082322. **Jaipur:** Flat No. 507, Tower II, Royal Greens Apartment, Sirsi Road, Jaipur - 302 023. Tel: 9982655661. **Kolkata:** 58, Taratala Road, Kolkata - 700024; Tel: 91 033 24695560/61, Fax: 033 24695369/6530. **Mumbai:** B-908/909, Sagar Tech Plaza, Andheri - Kurla Road, Saki Naka, Andheri (East), Mumbai - 400072, Tel: 022-28523106, 9833756269, Fax: 022-28528938. **Pune:** 41/14, Office Club, Swaroop Complex, Karve Road, Pune-411004, Tel: 020-25420663, 25432074, 25449335, 9960604846, Fax: 020-25420663. **Bangalore:** Tel: 9841028278. **Hyderabad:** Tel: 9393002665.



Call Toll Free: 1800-419-1500